

# S Model

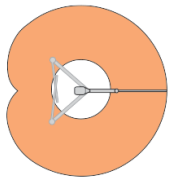
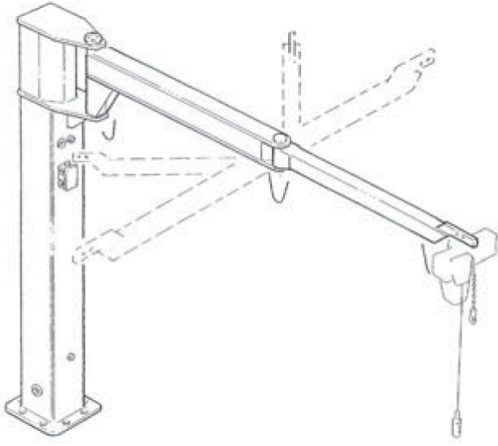
[Read More](#)

**SKU:**

**Price:**

**Stock:** instock

**Categories:** [Cranes](#)



360°

Area servita  
Slewing range

## Product Description

**“S” articulated jib model** Capacity 125 to 500 kg Jib length 3 to 7 m The jib of this model is articulated in two “hinged segments” which allow the handling even if fixed obstacles are present. This model permits the best use of the vertical room available and the clockwise/anticlockwise swing for more than 360°.