

C Model

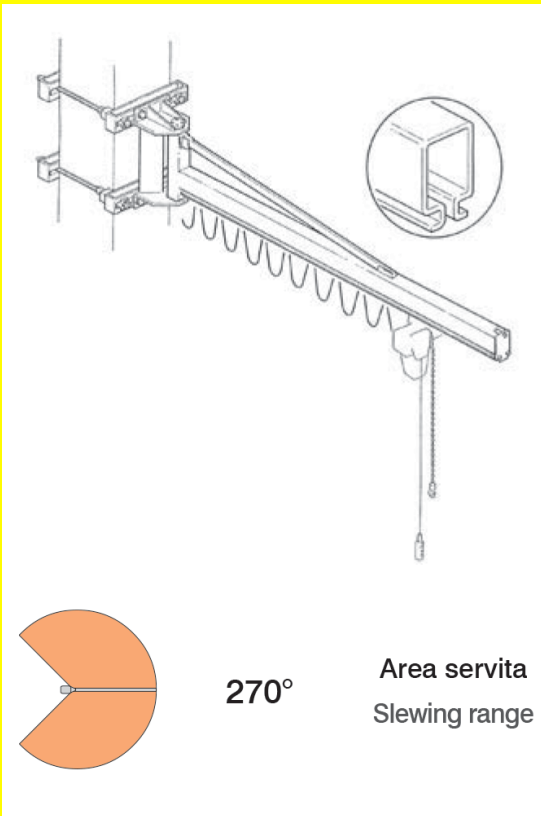
[Read More](#)

SKU:

Price:

Stock: instock

Categories: [Cranes](#), [Hercules](#)



Product Description

“C” channel profile jib model Capacity range 125 to 1000 kg Jib length 3 to 7 m This model is characterized by the extreme ease of handling due to the low inertia deriving from the light weight. The jib is normally fitted with a special “channel” profile trolley, which allows it to be easily push/pull

C Model

Column crane